

BAYSIDE LAGOON CEILING FAN

- **INSTALLATION**
- **OPERATION**
- **MAINTENANCE**
- **WARRANTY INFORMATION**

CAUTION
**READ INSTRUCTIONS CAREFULLY FOR SAFE
INSTALLATION AND FAN OPERATION.**

THANK YOU FOR PURCHASING

Thank you for purchasing this quality Bayside product. To ensure correct function and safety, please read and follow all instructions carefully before assembly, installation and use of this ceiling fan. Please keep instructions for future reference.

SAFETY PRECAUTIONS

1. In Europe: This appliance can be used by children aged from 8 years and above and persons with reduced physical, sensory or mental capabilities or lack of experience and knowledge if they have been given supervision or instruction concerning the use of the appliance in a safe way and understand the hazards involved. Cleaning and maintenance shall not be undertaken by children without supervision.
2. In Australia: The appliance is not intended for use by persons (including children) with reduced physical, sensory or mental capabilities, or lack of experience and knowledge, unless they have been given supervision or instruction concerning the use of the appliance by a person responsible for their safety.
3. Children should be supervised to ensure that they do not play with the appliance.
4. An all-pole disconnection switch must be incorporated into the fixed wiring, in accordance with local wiring rules.

IN AUSTRALIA

WARNING:

**FOR SAFE USE OF THIS FAN AN ALL-POLE DISCONNECTION
MUST BE INCORPORATED INTO THE FIXED WIRING IN
ACCORDANCE WITH THE WIRING RULES.**

As outline in clause 7.12.2 of AS/NZS 60335-1 for meeting the minimum electrical safety of this standard.

Please note warranty will be void if installation is without a means for an all-pole disconnection incorporated in the fixed wiring in accordance with the wiring rules.


Example: If a fan is connected to a circuit that can be isolated via an



all-pole safety switch at the switchboard, then this is considered to be an all-pole disconnection to the ceiling fan electrical circuit, meeting the requirements of clause 7.12.2 of AS/NZS 60335.1.

A single-pole switch on the active of the receiver input of remote control must also be included in the wiring, and located the same room as the ceiling fan.



5.  Do not dispose of electrical appliances as unsorted municipal waste, use separate collection facilities. Contact your local government for information regarding the collection systems available. If electrical appliances are disposed of in landfills or dumps, hazardous substances can leak into the ground water and get into the food chain, damaging your health and well-being.
6. The structure to which the fan is to be mounted must be capable of supporting a weight of 30kg.
7. The fan should be mounted so that the blades are at least 2.3 m above the floor in Europe or 2.1 m above the floor in Australia.
8. This fan is suitable for indoor, alfresco and coastal areas where the fan is fully undercover with a minimum of 1 wall. This fan is not waterproof. When installed in an alfresco or coastal area, the ceiling fan must be positioned in a location protected from water, wind and dust. Exposure to these elements will void the warranty. Mounting the fan in a situation where it is subject to water or moisture is dangerous and may increase the risk of damage, injury or electrical shock and will void the warranty.
9. Must be assembled and installed by a licensed electrician.
10. WARNING: If unusual wobbling or oscillating movement is observed, immediately stop using the ceiling fan and contact the manufacturer, its service agent or suitably qualified persons.
11. The replacement of parts of the safety suspension system device shall be performed by the manufacturer, its service agent or suitably qualified persons.
12. The fixing means for attachment to the ceiling such as hooks or other devices shall be fixed with a sufficient strength to withstand 4 times the weight of the ceiling fan; that the mounting of the suspension system shall be performed by the manufacturer, its service agent or suitably qualified persons.



BEFORE INSTALLATION

- Unpack your ceiling fan carefully. Remove all parts and hardware.
- Lay out all the components on a smooth surface and make sure there are no components missing before assembling. If parts are missing, return the complete product to the place of purchase for inspection or replacement.
- Check whether the ceiling fan has been damaged during transport. Do not operate/install any product which appears damaged in any way. Return the complete product to the place of purchase for inspection, repair or replacement.

Examine all parts, you should have the following:

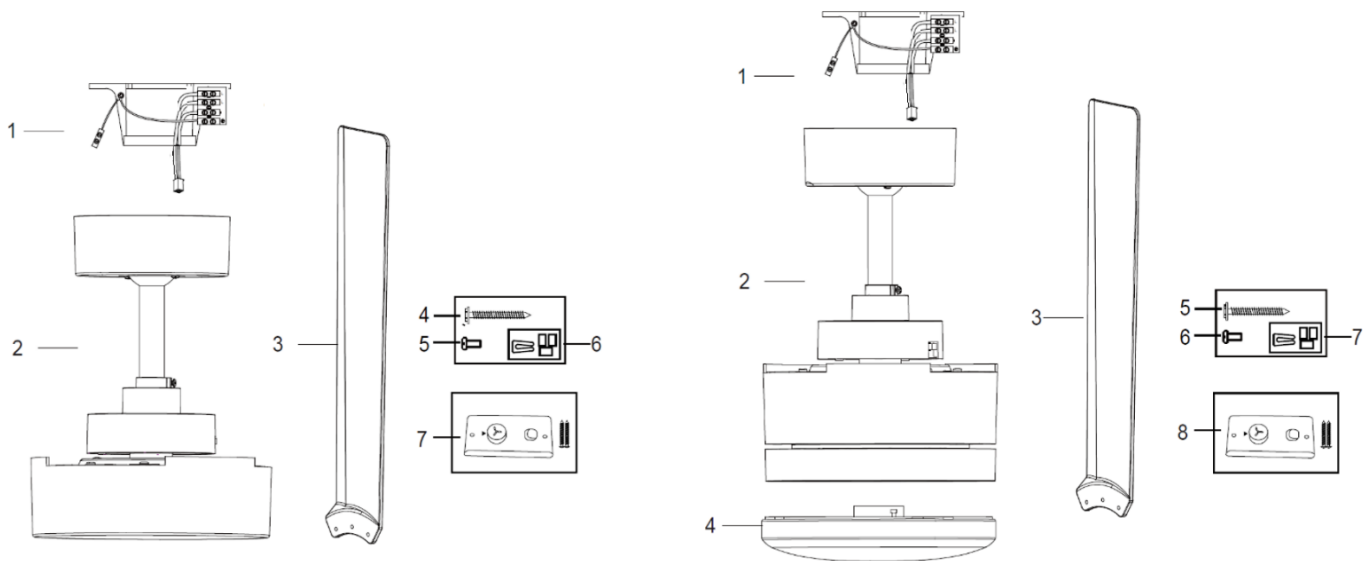


Fig. 1

Fan without light

- 1 Mounting bracket x 1
- 2 Pre-assembled fan motor, down rod and canopy x 1
- 3 Blades x 3
- 4 Mounting bracket screws x 2
- 5 Blade screw for blade x (9 + 1 spare) sets
- 6 Balancing kit x 1 set
- 7 Wall switch x 1 set

Fan with light

- 1 Mounting bracket x 1
- 2 Pre-assembled fan motor, down rod and canopy x 1
- 3 Blades x 3
- 4 GX53 lamp x 1
- 5 Mounting bracket screws x 2
- 6 Blade screw for blade x (9 + 1 spare) sets
- 7 Balancing kit x 1 set
- 8 Wall switch x 1 set



INSTALLING THE MOUNTING BRACKET

- The ceiling fan must be installed in a location so that the blades are spaced 300mm from the tip of the blade to the nearest objects or walls.
- Install the hanging bracket to the ceiling joist or structure that is capable of carrying a load of at least 30kg, with two long screws provided. Ensure at least 30mm of the screw is threaded into the support.

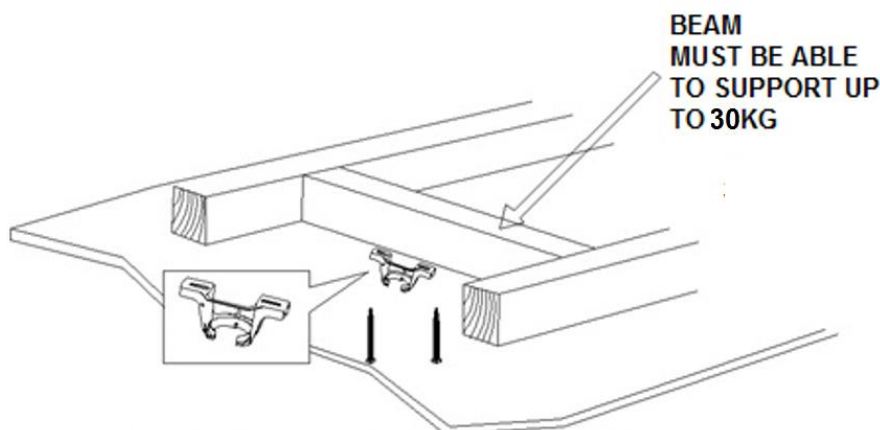


Fig. 2

NOTE: THIS PICTURE IS FOR REPRESENTATION ONLY AND DOES NOT REPRESENT THE ACTUAL BRACKET.

NOTE: The bracket screws provided are for use with wooden structures only. For structures other than wood, the appropriate screw type **MUST be used. Ensure the screws used are suitable for the mounting surface and the surrounding environment.**

Angled ceiling Installation

This fan hanging system supports a maximum 15 degree angled ceiling installation.

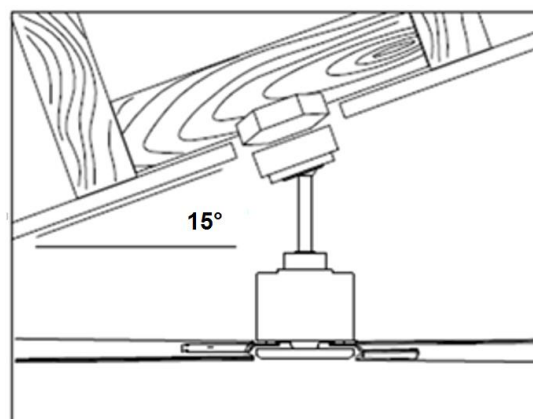


Fig. 3



HANGING THE FAN

Lift the fan assembly onto the mounting bracket. Ensure the key slot (A) of the hanger ball is positioned on the key pin (B) of the mounting bracket (C) to prevent the fan from rotating when in operation. (Fig.4)

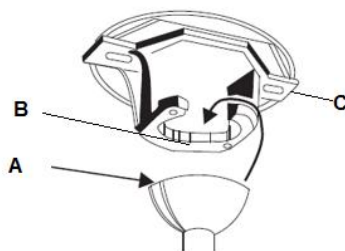


Fig. 4

INSTALLING THE FAN

Blade attachment

1. Align the 3 mounting holes on the blade to the 3 mounting screw holes on the rotating member of fan motor assembly and using the 3 blade screws to secure the blade to the rotating member of fan motor assembly, ensuring they are tightened equally and evenly tighten. (Take care not to over tighten as this can damage the blades).
2. Once completed, repeat the process on the remaining blades.

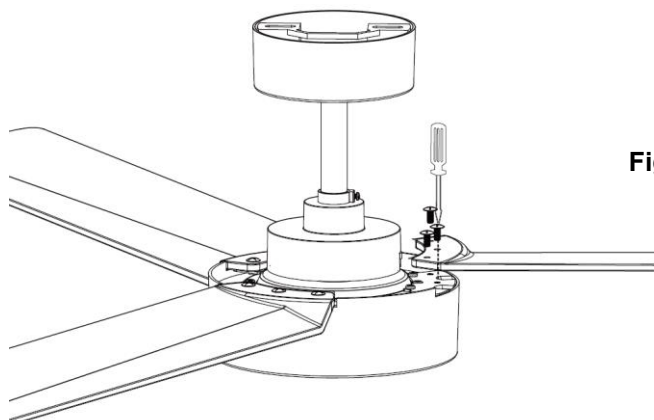


Fig. 5

Light kit installation (For fan with light)

Install the globe (included, GX53) in the lamp holder, by inserting the LED lamp base pins into the GX53 lampholder holes and twist clockwise to lock the LED lamp on the lampholder.

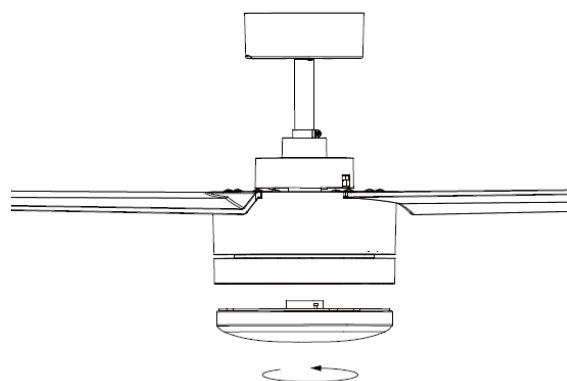


Fig. 6



ELECTRICAL WIRING DIAGRAM

WARNING: FOR YOUR SAFETY ALL ELECTRICAL CONNECTIONS MUST BE UNDERTAKEN BY A LICENSED ELECTRICIAN.

NOTE: AN ADDITIONAL ALL POLE DISCONNECTION SWITCH MUST BE INCLUDED IN THE FIXED WIRING.

NOTE: Wiring diagram includes the light kit wiring. The light wiring diagram and switch is omitted when no light kit is used with the ceiling fan.

USE WITH WALL SWITCH WIRING DIAGRAM:

Ensure the motor earth wire is connected to the single earthing terminal block “2” in the diagram below. (Fig. 7)

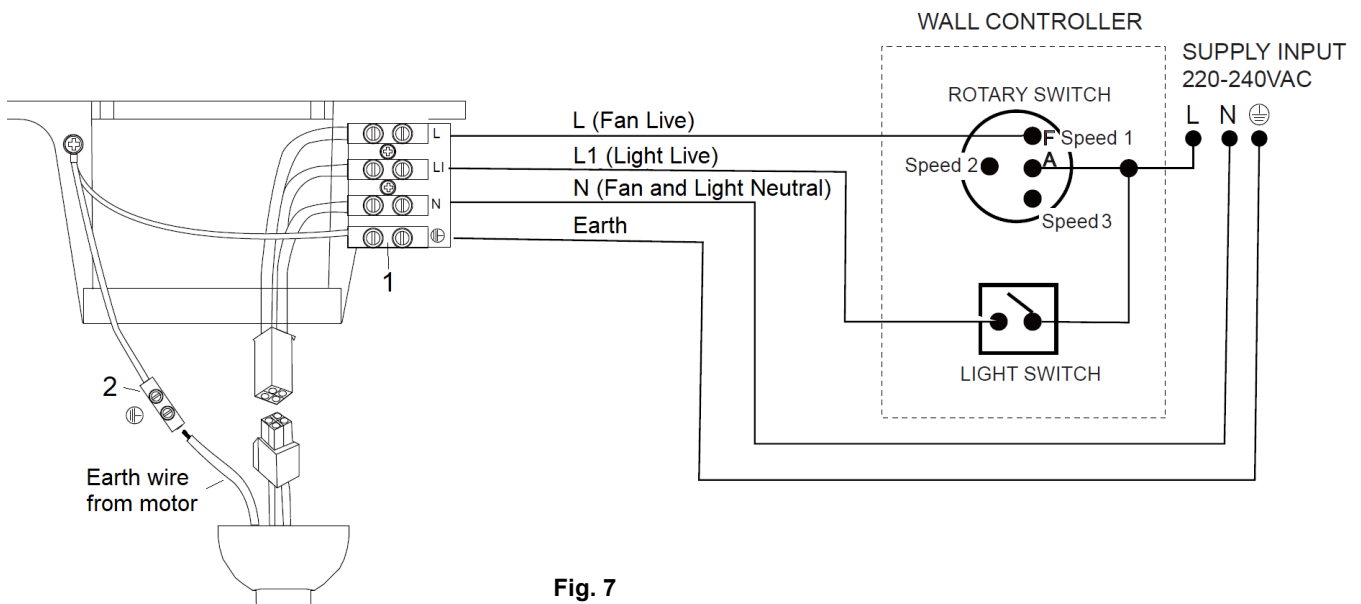


Fig. 7



USE WITH REMOTE WIRING DIAGRAM: (REMOTE sold separately)

Ensure the motor earth wire is connected to the single earthing terminal block "2" in the diagram (Fig. 7), for (Fig.8 and Fig.9)

1/ Remote without quick connectors (manual wiring)

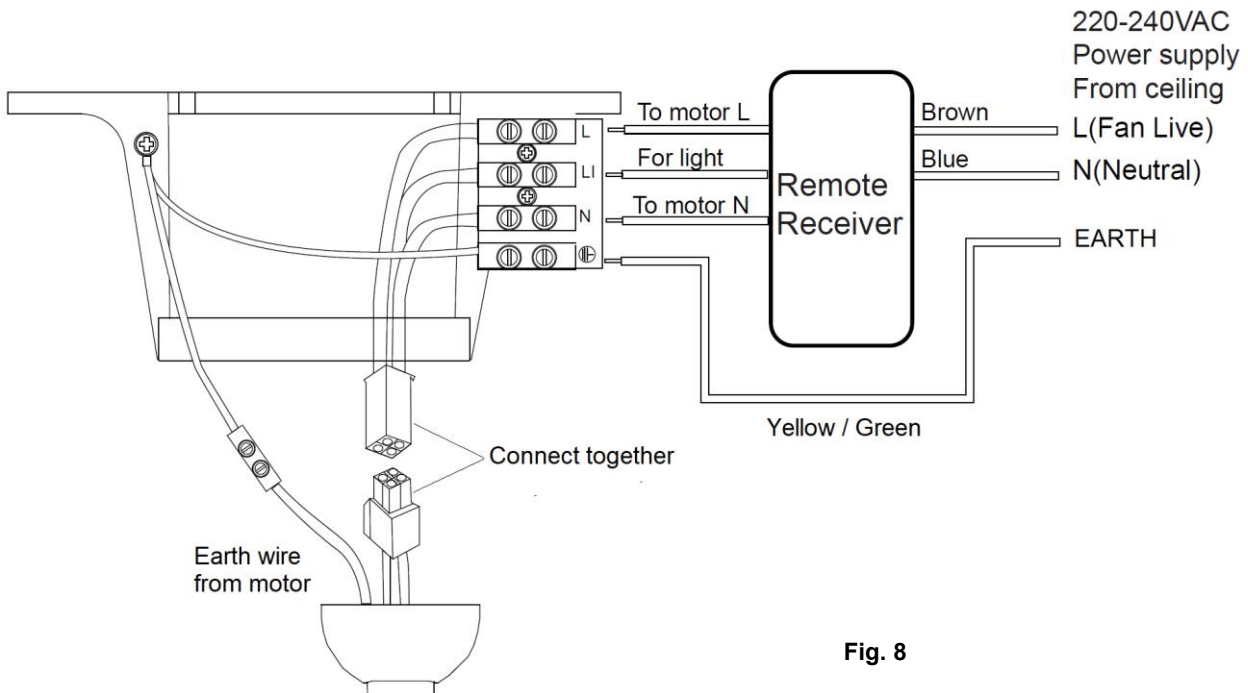


Fig. 8

2/ Remote with quick connectors (using quick connectors)

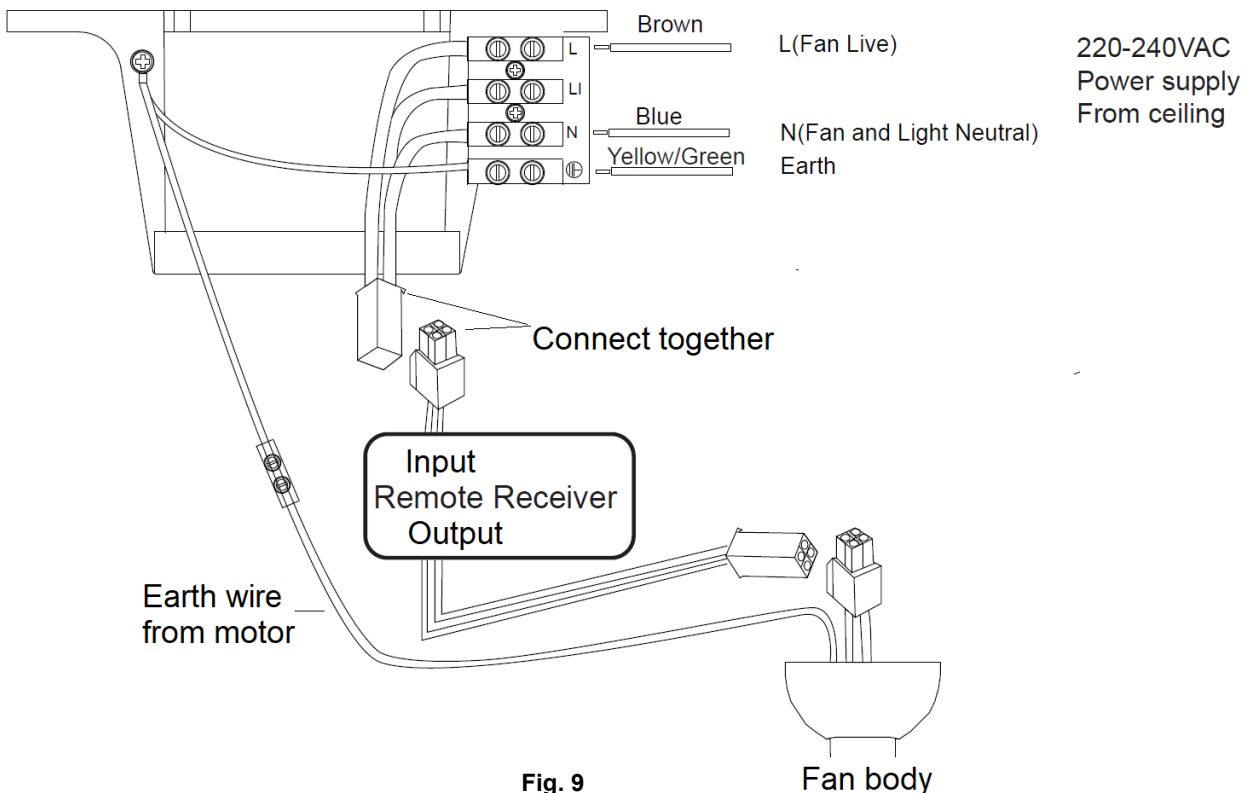


Fig. 9



This fan is suitable for indoor, alfresco and coastal areas where the fan is fully undercover with a minimum of 1 walls. This fan is not waterproof. When installed in an alfresco or coastal area, the ceiling fan must be positioned in a location protected from water, wind and dust. Exposure to these elements will void the warranty. Mounting the fan in a situation where it is subject to water or moisture is dangerous.

FINISHING THE INSTALLATION

- After completing the electrical connection at the mounting bracket terminal block, connect the ceiling fan wiring via the quick connector plug.
- Ensure the earth wiring is secure and correct, by performing an earthing continuity test from the fan's accessible metal body back to the earth terminal at the terminal block on the mounting bracket.
- Cover the mounting bracket with the canopy. Ensure all electrical wiring is tucked inside the canopy and that the wires are not damaged during this step. Secure the canopy to the hanger bracket using the screws provided. (Fig. 10)
- Switch ON mains power supply to the fan. Test the fan operations or enjoy using the fan following instructions the under "USING YOUR CEILING FAN" section of this instruction manual.

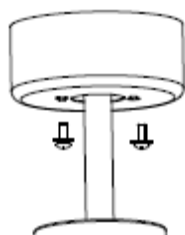


Fig. 10

USING YOUR CEILING FAN

FAN WALL CONTROL

Turn on the power and check the operation of the fan.

- OFF Position – Fan off
- 3rd Position – Low fan speed
- 2nd Position – Medium fan speed
- 1st Position – High fan speed

Light Control

- Toggle Switch – On/off

The LED globe has a 3-step dimmable function which is controlled by an ON/OFF switch. Toggle the switch ON/OFF to the luminaire 4 times within 5 seconds, the globe will light up in the following order:

100% brightness → 40% brightness → 15% brightness → 100% brightness.

To switch back to 100% brightness at any stage, turn OFF the luminaire, and then wait after 5 seconds turn ON the luminaire, it will reset to 100% brightness.

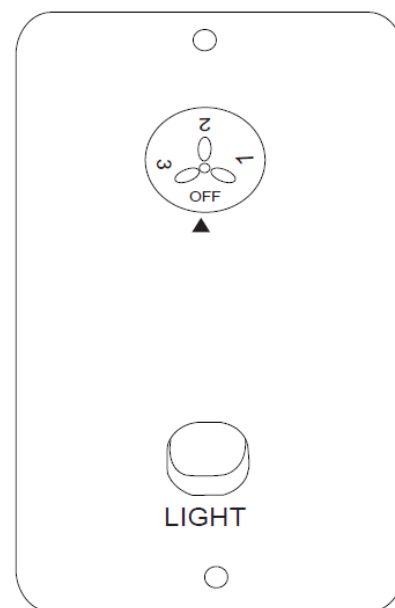


Fig. 11



REVERSING SWITCH

Your ceiling fan can operate in either summer or winter mode.

SUMMER Mode: The reverse switch shall be in the “Left” (SUMMER) position to make the fan rotate in an anticlockwise direction. The airflow will be directed downwards, for cooling in summer.

WINTER Mode: The reverse switch shall be in the “Right” (WINTER) position to make the fan rotate in a clockwise direction. The airflow will be directed upwards assisting in the circulation of warm air, for energy conservation in winter.

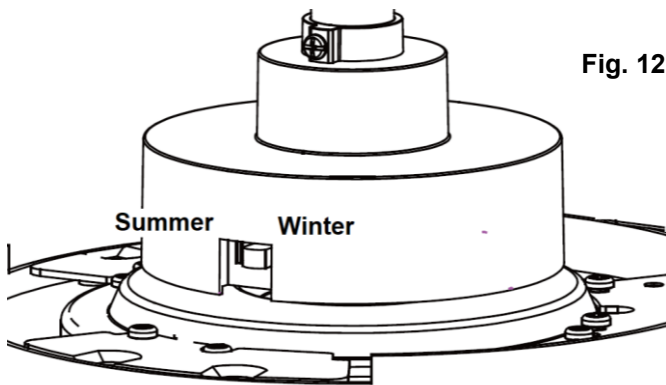
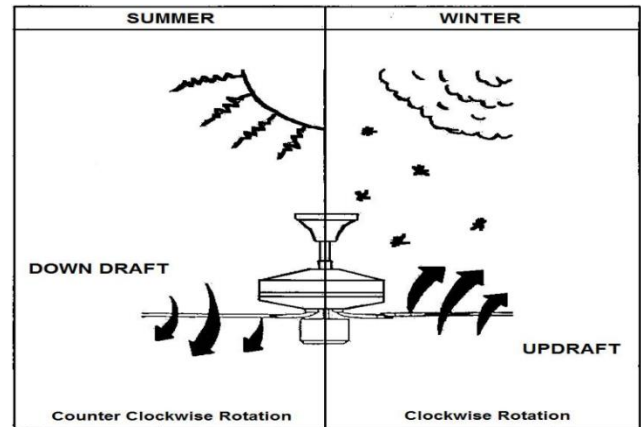


Fig. 12



AFTER INSTALLATION

WOBBLE:

NOTE: Ceiling fans tend to move during operation due to the fact that they are mounted on a rubber grommet. If the fan was mounted rigidly to the ceiling it would cause excessive vibration. Movement of a few centimetres is quite acceptable and DOES NOT suggest any problem.

TO REDUCE THE FAN WOBBLE: Please check that all screws which fix the mounting bracket and down rod are secure.

BALANCING KIT: A balancing kit is provided to balance the ceiling fan on initial installation. Please refer to the instruction on how to use the balancing kit. The balancing kit can be used to assist re-balancing should the ceiling fan become un-balanced again. Store your balancing kit away after installation for future use if required.

NOISE:

When it is quiet (especially at night) you may hear occasional small noises. Slight power fluctuations and frequency signals superimposed in the electricity for off-peak hot water control, may cause a change in fan motor noise. This is normal. Please allow a 24-hour “breaking-in” period, most noises associated with a new fan disappear during this time. Please note that this is not a product fault and as such is not covered under warranty – All electric motors are audible to some extent.



CARE AND CLEANING:

NOTE: Always turn OFF the power at the mains switch before performing any maintenance or attempting to clean your fan.

- Every 6 months periodic cleaning of your ceiling fan is the only maintenance required. Use a soft brush or lint free cloth to avoid scratching the paint finish. Please turn off electricity power when you do so.
- Do not soak or immerse your ceiling fan in the water or other liquids. It could damage the motor or the blades and create the possibility of an electrical shock.
- Ensure that the fan does not come in contact with any organic solvents or cleaners.
- To clean the fan blade, wipe with only a damp clean cloth with NO organic solvents or cleaners.
- The motor has a permanently lubricated ball bearing so there is no need to oil.

TECHNICAL INFORMATION

Fan Models	52" fan only	52" fan with light
Rated Voltage	220-240V~ 50Hz	
Rated Wattage (Motor)	55W	
Rated wattage (Lamp)	N/A	GX53, 18W, 1700lm, 3000K, 3 step-dim
Weight	4.5kg	5.0kg
Canopy Dimensions	H:52mm Dia:135mm	



This fan is suitable for indoor, alfresco and coastal areas where the fan is fully undercover with a minimum of 1 walls. This fan is not waterproof. When installed in an alfresco or coastal area, the ceiling fan must be positioned in a location protected from water, wind and dust. Exposure to these elements will void the warranty. Mounting the fan in a situation where it is subject to water or moisture is dangerous.

BAYSIDE CEILING FAN WARRANTY DETAIL

BAYSIDE WARRANTY HOTLINE - 1300 289 808

THIS WARRANTY IS VALID IN AUSTRALIA ONLY

In the event of service being required, please call the Bayside Fan Warranty Hotline on 1300 289 808 between 9am & 5pm (EST) Monday to Friday. Please make sure you have all the ceiling fan details filled out at the end of the manual before making the call.

Every Bayside ceiling fan is thoroughly inspected and tested before being released for sale. In addition to any warranty rights or conditions under statutory regulations, Bayside warrants all of its ceiling fans against defective workmanship and faulty materials with an in-home warranty period of twenty four (24) months from the date of purchase. Following this, an additional forty eight months (48) part replacement warranty applies.

Bayside undertakes, at its option, to repair or replace, free of charge, each product or part thereof on condition that;

1. The fan or relevant part has not been subjected to misuse, neglect, or been involved in an accident.
2. The repairs are not required as a result of normal wear and tear.
3. The product was installed by a licensed electrical contractor.
4. A copy of the original receipt of purchase is presented.
5. 12 month warranty applies when used in any non-domestic applications.
6. This warranty does not cover stains, scratch and scuff marks, or dents if the product is purchased through a factory outlet or to refurbished items.

Our goods come with guarantees that cannot be excluded under the Australian Consumer Law. You are entitled to a replacement or refund for a major failure and compensation for any other reasonably foreseeable loss or damage. You are also entitled to have the goods repaired or replaced if the goods fail to be of acceptable quality and the failure does not amount to a major failure.

Bayside design cannot be held responsible for any repair other than those carried out by it or one of its Authorised Service Agents. Please keep this warranty information in a safe place. This information must be produced in the event of service being required.

Distributed by:

Bayside Fans and Lighting

140 Fulton Drive, Derrimut 3026, Victoria, Australia

Ph: 1300 289 808

Email: warranty@baysidefansandlighting.com.au



CEILING FAN WARRANTY INFORMATION

BAYSIDE WARRANTY HOTLINE - 1300 289 808

Complete and retain this form for your personal records and warranty purposes.

NAME.....

ADDRESS.....

.....POSTCODE.....

MODEL NUMBER.....

PO NUMBER or DATECODE (PO# + DATECODE Sticker here)

DATE OF PURCHASE.....

INSTALLING LICENSED ELECTRICIAN.....

.....

LICENCE No.....

ATTACH PROOF OF PURCHASE HERE



This fan is suitable for indoor, alfresco and coastal areas where the fan is fully undercover with a minimum of 1 walls. This fan is not waterproof. When installed in an alfresco or coastal area, the ceiling fan must be positioned in a location protected from water, wind and dust. Exposure to these elements will void the warranty. Mounting the fan in a situation where it is subject to water or moisture is dangerous.